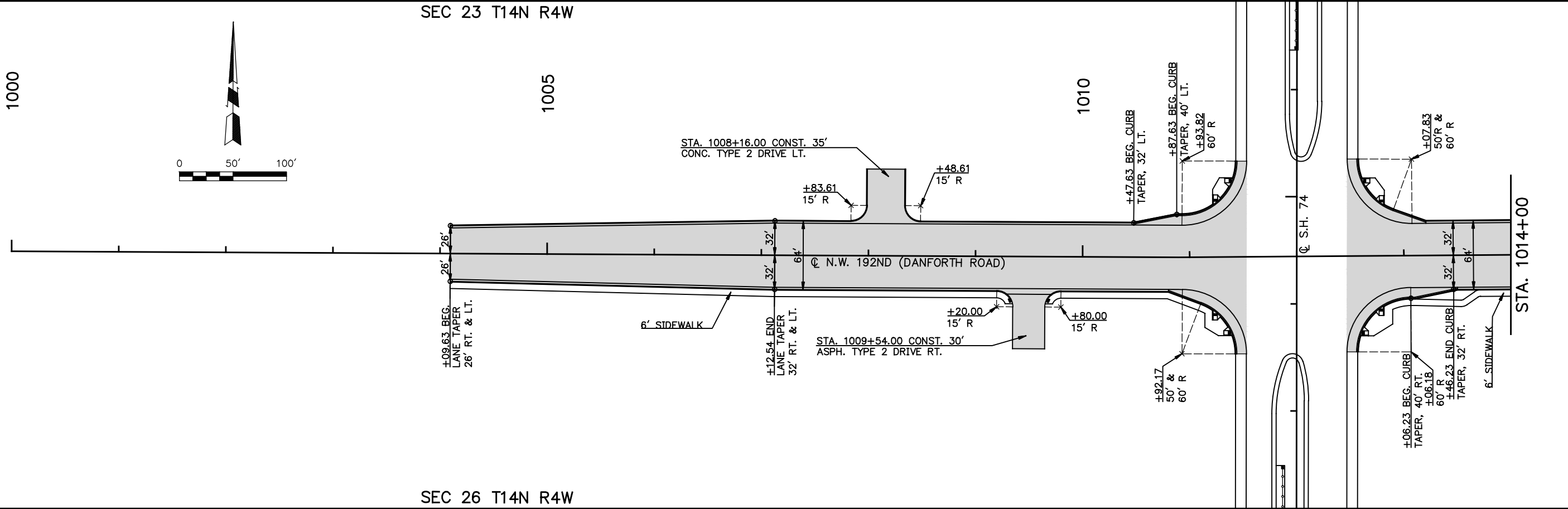
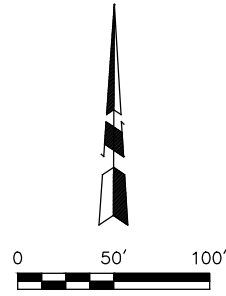


SEC 23 T14N R4W

1000

1005

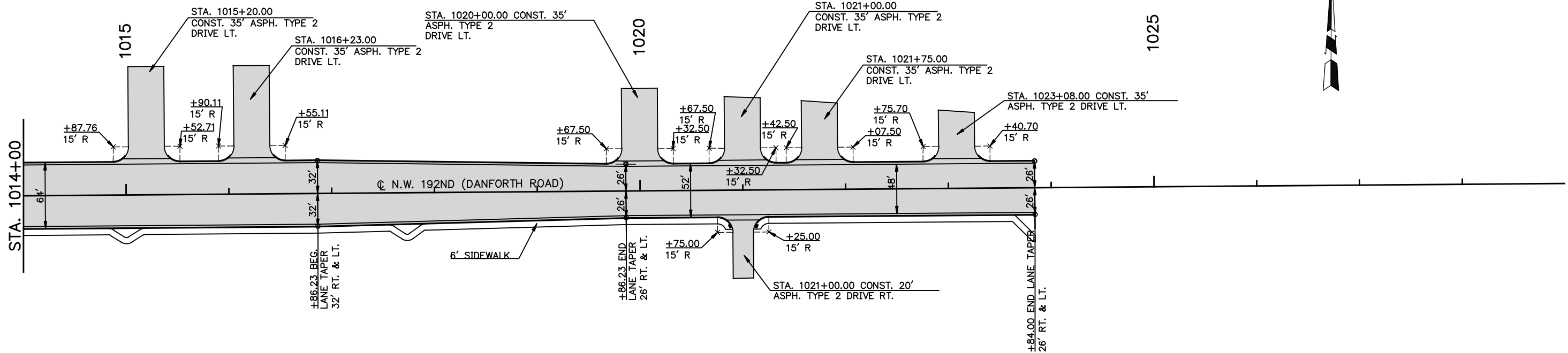
1010



SEC 26 T14N R4W

SEC 24 T14N R4W

1025



SEC 25 T14N R4W

SURFACING CONSTRUCTION DETAILS  
N.W. 192ND (DANFORTH ROAD)  
STA. 1004+09.63 TO 1024+50.00